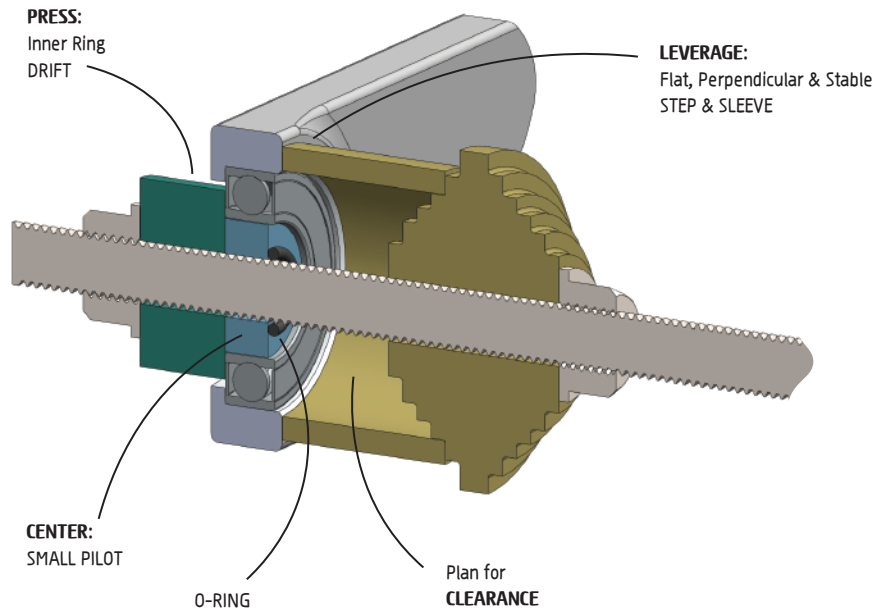


Single Bearing Pivot | REMOVAL



STUD STOP:
Optional either side if larger than 20mm