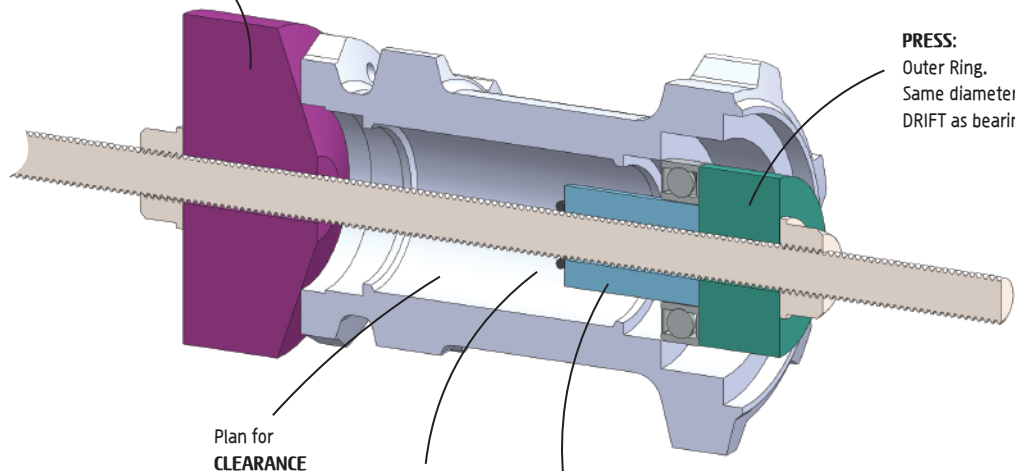


**LEVERAGE & CENTER:**  
STOP CTR



**PRESS:**  
Outer Ring.  
Same diameter  
DRIFT as bearing.

Plan for  
**CLEARANCE**

O-RING

**CENTER:**  
LONG PILOT

**STUD STOP:**  
Optional either side if larger than 20mm