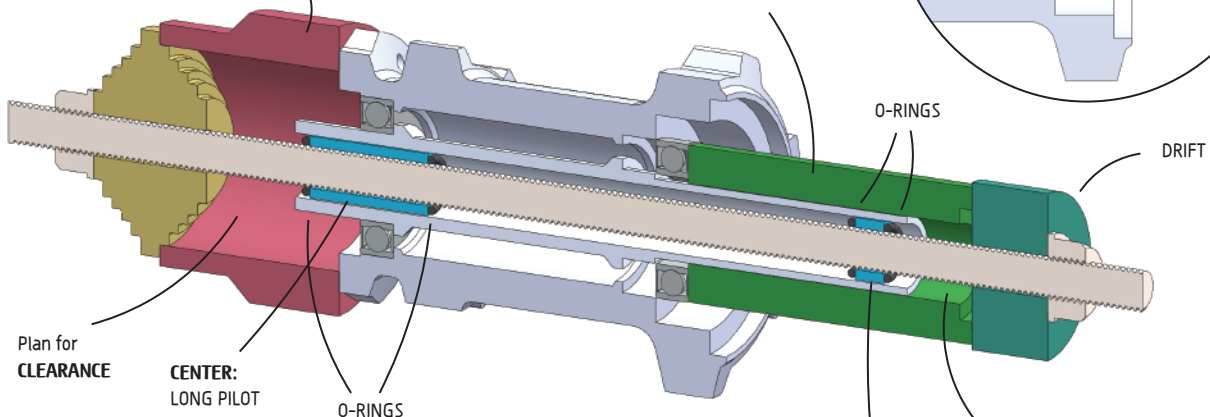
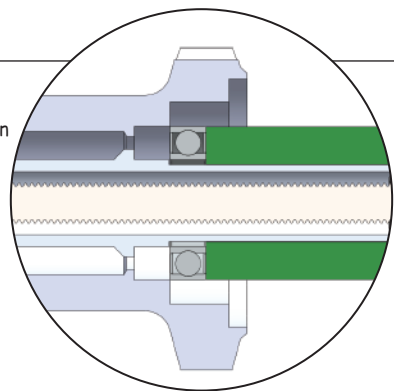


LEVERAGE:

STEP & SLEEVE 6 for 6 bolt
STEP & LONG SLEEVE for center lock

WATCH FOR THIS!
Bearing ID is larger than
axle OD in this area.

PRESS & CENTER:
OA DRIFT same OD as bearing
AND same ID as axle.



CENTER:
SHORT PILOT

**Plan for
CLEARANCE**

STUD STOP:

Optional either side if larger than 20mm