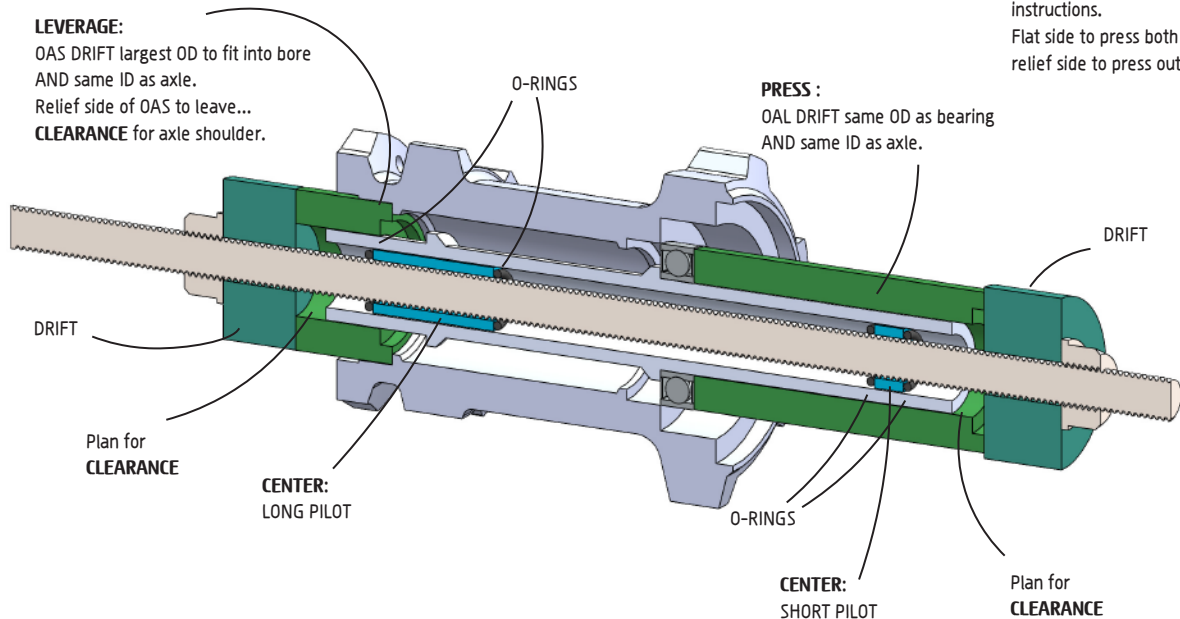


IMPORTANT:

Choose side of OAL & OAS according to manufacturer's instructions.
Flat side to press both bearing rings, relief side to press outer bearing ring.



STUD STOP:
Optional either side if larger than 20mm