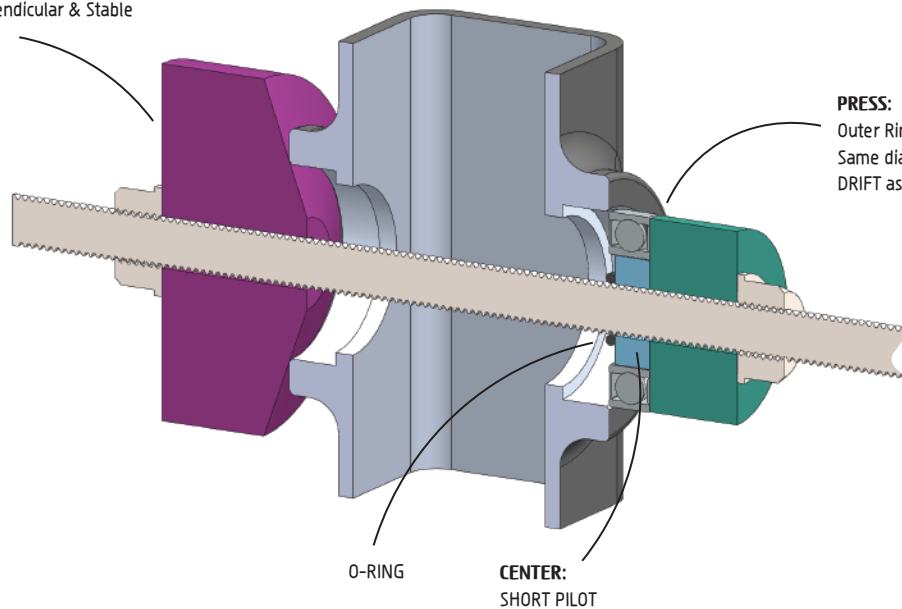


**LEVERAGE & CENTER:**

Flat, Perpendicular & Stable  
STOP CTR



**PRESS:**

Outer Ring.  
Same diameter  
DRIFT as bearing.

O-RING

**CENTER:**  
SHORT PILOT

**STUD STOP:**

Optional either side if larger than 20mm